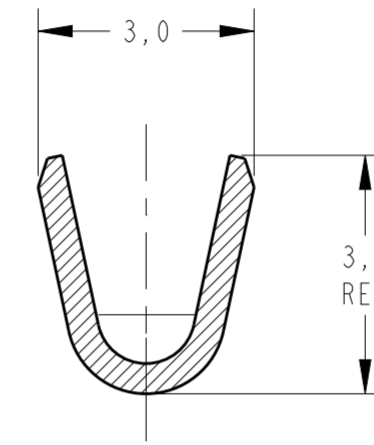
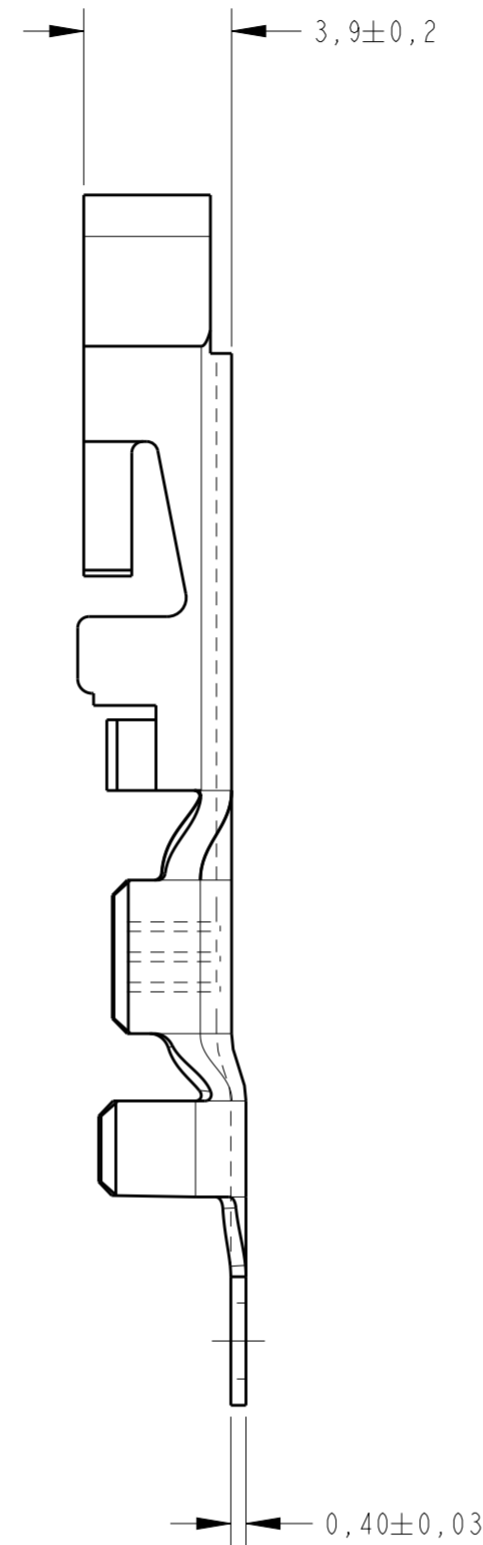
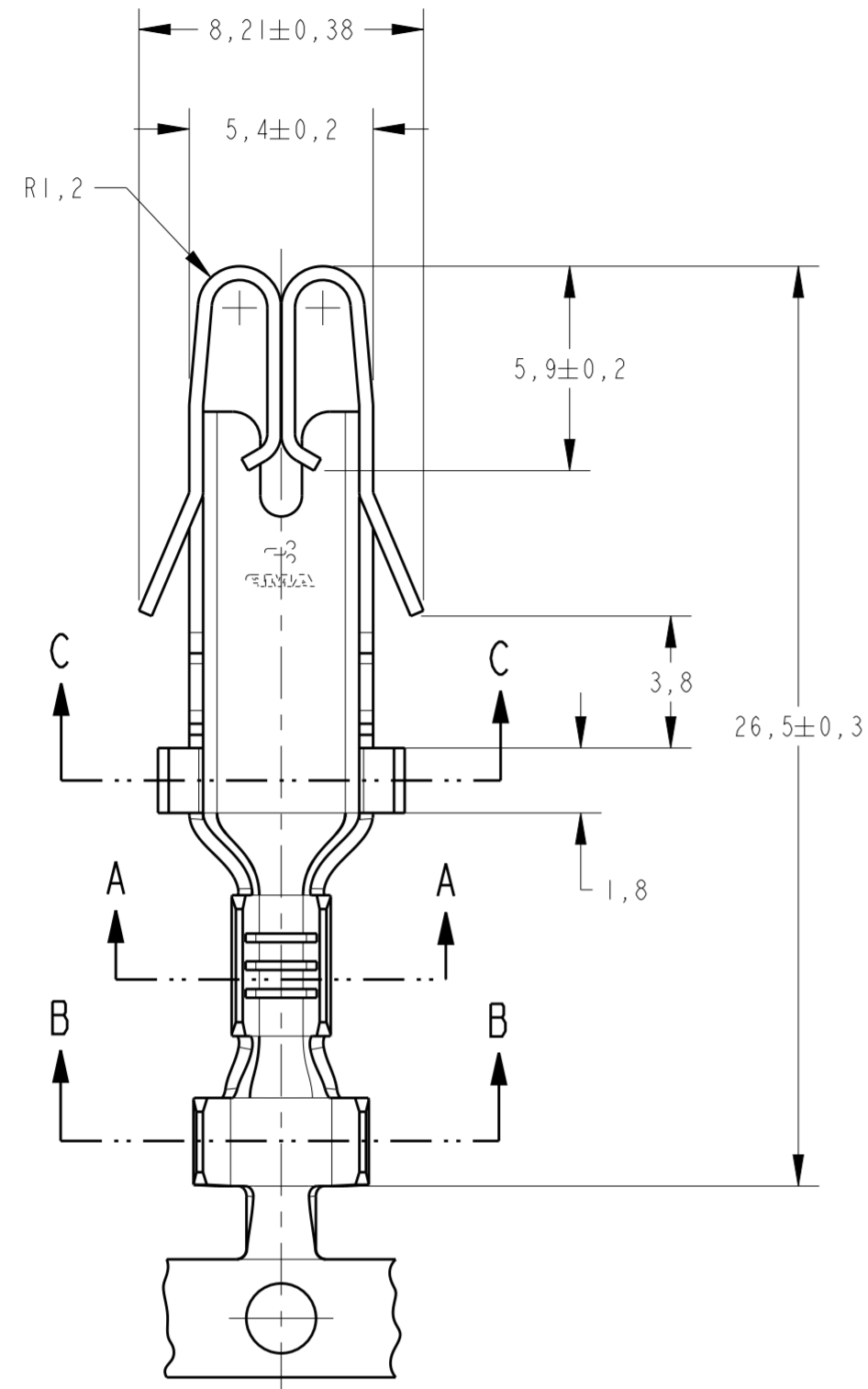


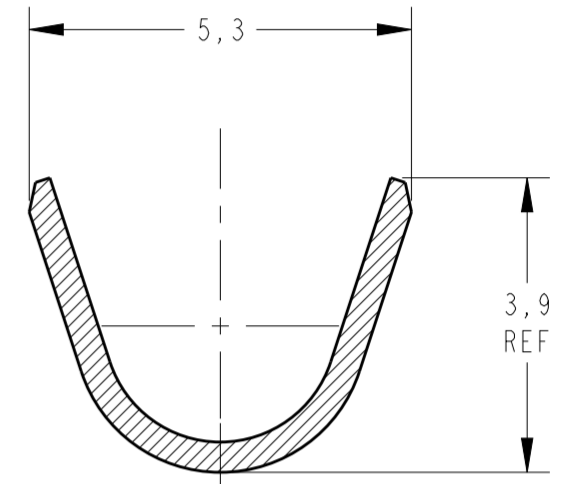
THIS DRAWING IS UNPUBLISHED. RELEASED FOR PUBLICATION 20  
 © COPYRIGHT 20 BY - ALL RIGHTS RESERVED.

**creo**  
 Creo Parametric 2.0  
**DO NOT REVISE  
 EXCEPT BY CAD**

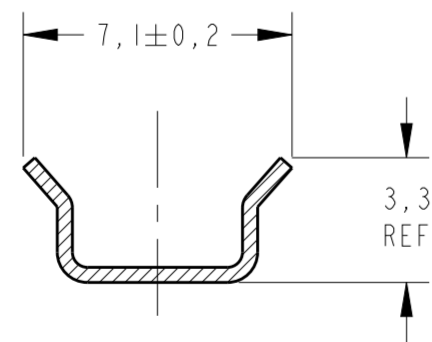
REVISIONS					
P	LTR	DESCRIPTION	DATE	DWN	APVD
	M	REDRAW BY CAD ECO-14-013531	05SEP2014	NCL	LWP



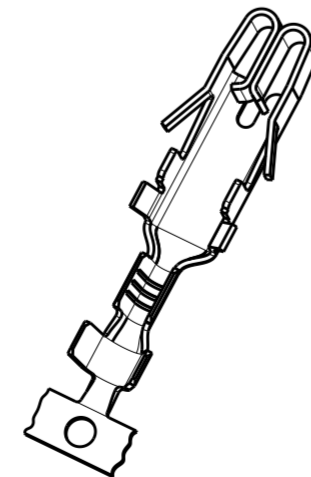
SECTION A-A  
 SCALE 10:1



SECTION B-B  
 SCALE 10:1



SECTION C-C



PERSPECTIVE VIEW  
 SCALE 2:1

WIRE RANGE  
 0,5-1,5mm<sup>2</sup>  
 INSUL. RANGE  
 Ø2,0-3,0mm

THIS DRAWING IS A CONTROLLED DOCUMENT.

DIMENSIONS: mm	TOLERANCES UNLESS OTHERWISE SPECIFIED: 0 PLC ± 1 PLC ±0,5 2 PLC ± 3 PLC ± 4 PLC ± ANGLES ±° FINISH
SEE TABLE	SEE TABLE

DWN NCLAPRESA 08SEP2014	CHK ECHRISTIANO 08SEP2014	APVD LWPRADO 08SEP2014
PRODUCT SPEC		
APPLICATION SPEC		
WEIGHT		
Customer Drawing		

PRE-ESTANHADO / PRE TINNED	LATÃO / BRASS	880397-2
<b>OBSOLETE</b>	LATÃO / BRASS	880397-1
FINISH	MATERIAL	PART NUMBER
<b>STE</b> TE Connectivity		
FUSE CONTACT		
SIZE A2	CAGE CODE 00779	DRAWING NO 880397
RESTRICTED TO	SCALE 2:1	SHEET 5:1
	OF	REV M